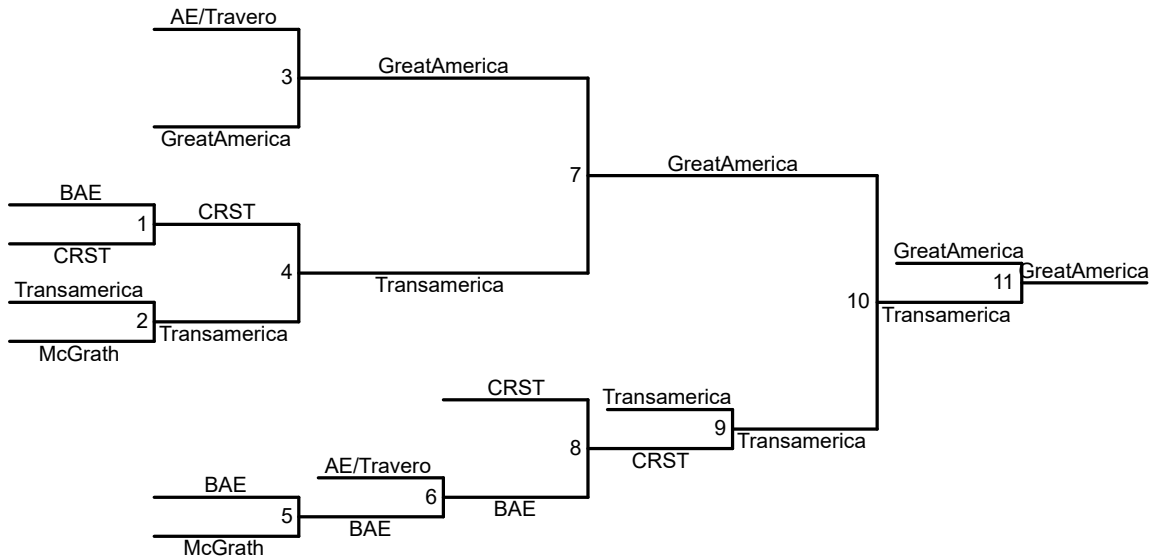




# CORRIDOR CORPORATE GAMES

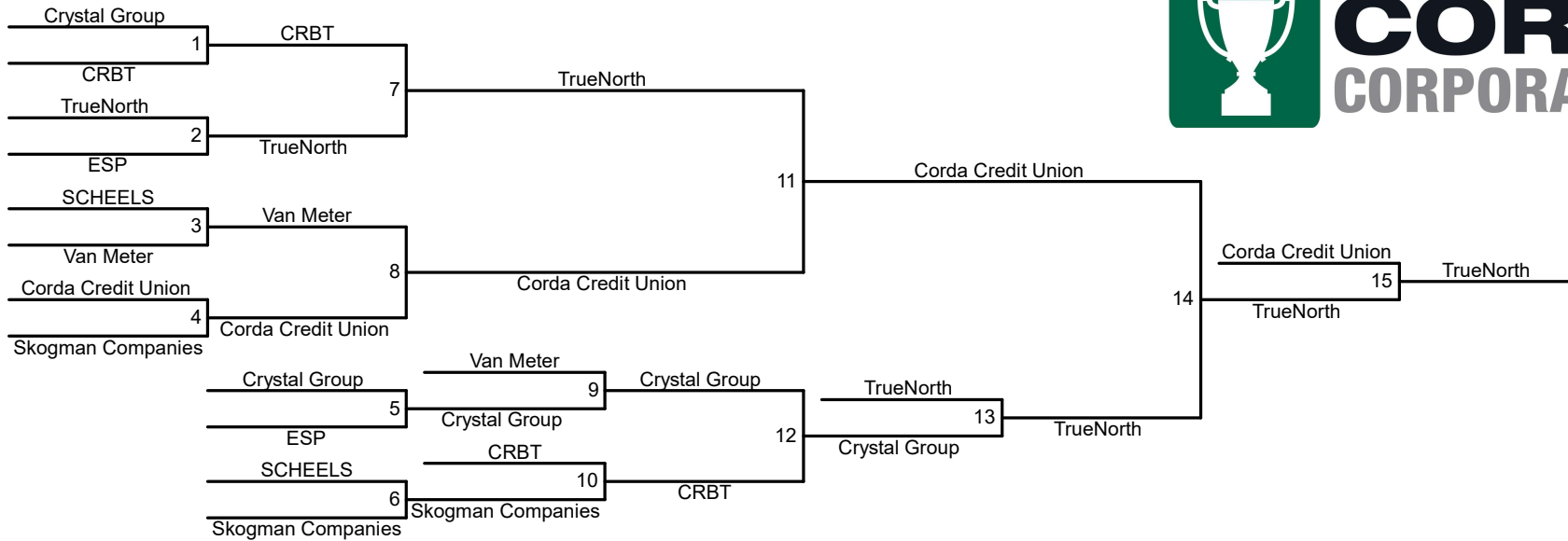
Division 1  
Tuesday, June 18, 2024  
Check In 5:30pm  
Start 6:00pm

North Liberty Community  
Center  
520 W Cherry St.  
North Liberty, IA 52317



Results:

1. GreatAmerica - 1000pts
2. Transamerica - 800pts
3. CRST, The Transportation Solution - 600pts
4. BAE Systems - 400pts
5. Alliant Energy/Travero - 250pts



Division 2  
 Tuesday, June 18, 2024  
 Check In 5:30pm  
 Start 6:00pm

North Liberty Community  
 Center  
 520 W Cherry St.  
 North Liberty, IA 52317

**Results:**

1. TrueNorth Companies - 1000pts
2. Corda Credit Union - 800pts
3. Crystal Group - 600pts
4. Cedar Rapids Bank & Trust - 400pts
5. Van Meter - 250pts
6. Skogman Realty -250pts

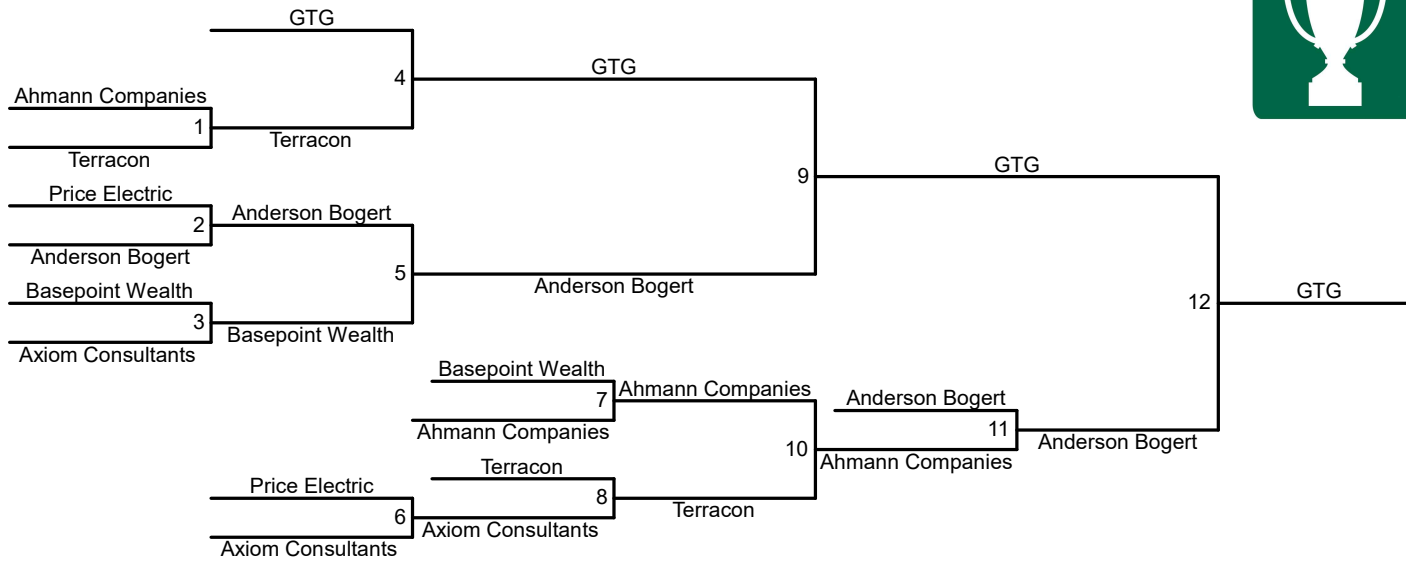
SCHEELS -250pts



# CORRIDOR CORPORATE GAMES

Division 3  
Tuesday, June 18, 2024  
Check In 5:30pm  
Start 6:00pm

North Liberty Community  
Center  
520 W Cherry St.  
North Liberty, IA 52317



### Results:

1. GTG Peterbilt - 1000pts
2. Anderson Bogert - 800pts
3. Ahmann Companies - 600pts
4. Terracon Consultants - 400pts
5. Axiom Consoultants - 250pts
6. Basepoint Wealth - 250pts